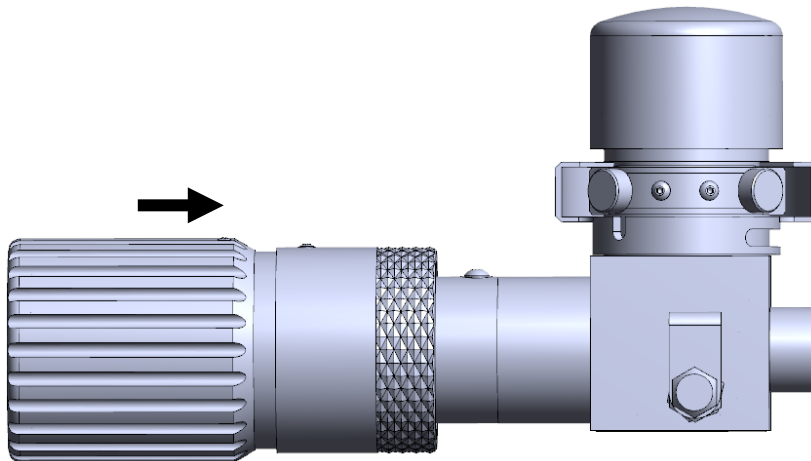


CFMB-8 Close Focus Mechanism – Operating Instructions

This device is intended to slip over the objective end of the Graflex 8X Boresight Telescope and permit the focusing at a MINIMUM range of 1.5 to 2 meters and to a MAXIMUM range of 6 meters.

1. Before placing CFM on telescope adjust the diopter (eyepiece) of the 8X Boresight Telescope for the best image to user's eye.
2. Simply slide the CFM device onto the objective barrel with positioning knurled section as leading end until fully seated.



3. Adjust the CFM focus by rotating the grooved section of device. Note: Rotate counter-clockwise for maximum 6 meter range and clockwise for minimum 2 meter range.
4. Proceed to boresight the weapon per the operator's manual.
5. Remove CFM by rotating (green) retaining ring counter-clockwise.

NOTE: CFM resolution is not the same of the telescope nor is it required. The purpose of the CFM is to read targets at very short distances allowing for efficient collimation of the gun tube to the gunner's sight. The user should be keenly aware of parallax; parallax is an unavoidable optical phenomena when targeting at short distances.