

## Graflex CFE8 Series - Carbon Fiber Enclosures

June 28, 2018

***Graflex CFE8 series Carbon Fiber Enclosures provide extreme strength at the lightest possible weight. All our enclosures are IP66 rated, nitrogen purgeable, and include climate control features as standard providing a dust and moisture free environment for large sensors of any type.***

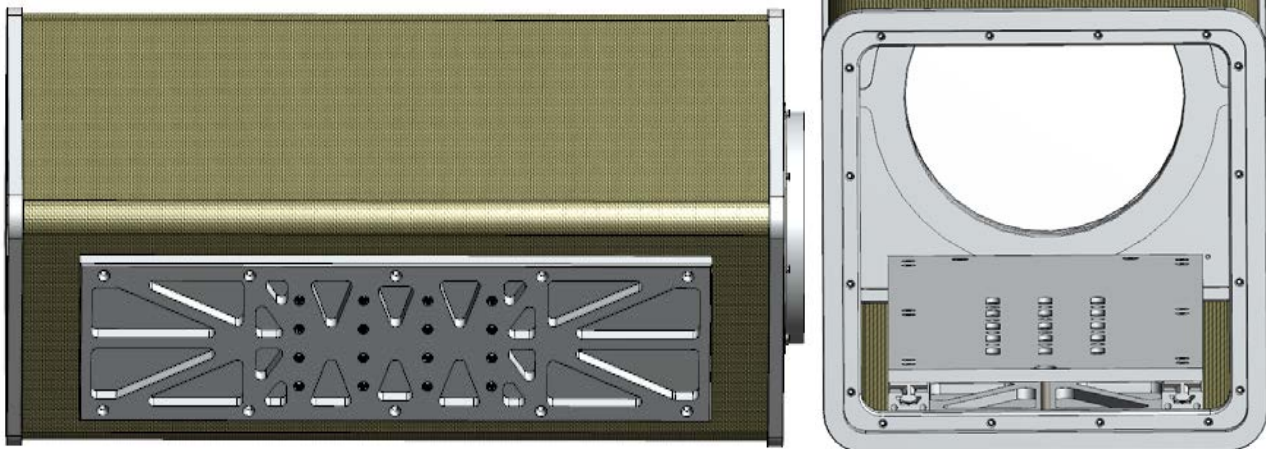


### Enclosure Features

- Impervious to Corrosive Environments
- Customer Selectable Colors
- Thermostat Controlled
- High MTBF/Quality Components
- Universal Interior/Exterior Mount/Bolt Pattern
- Quick/Simple Sensor Install
- Nitrogen Purgeable

### Advantages of Carbon Fiber Design

- Minimizes/Decreases Required Pan & Tilt Capacity
- Extreme High Strength to Weight Ratio
- Maintains Structural Integrity No Matter the Impact
- Carbon Fiber = Extreme Low Thermal Conductivity
- Carbon Fiber 8X-10X Stronger Than Metallic
- One-Half Weight of Comparable Metal Enclosures

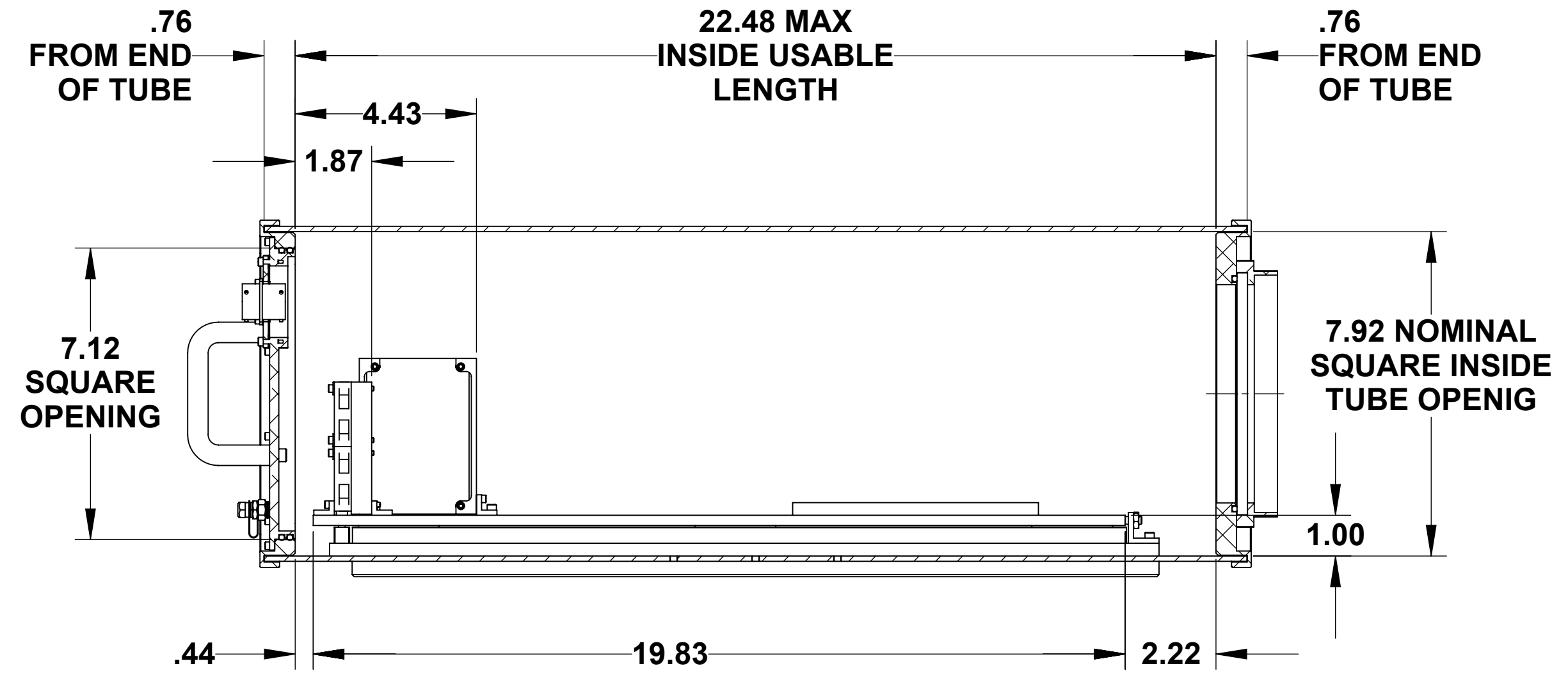
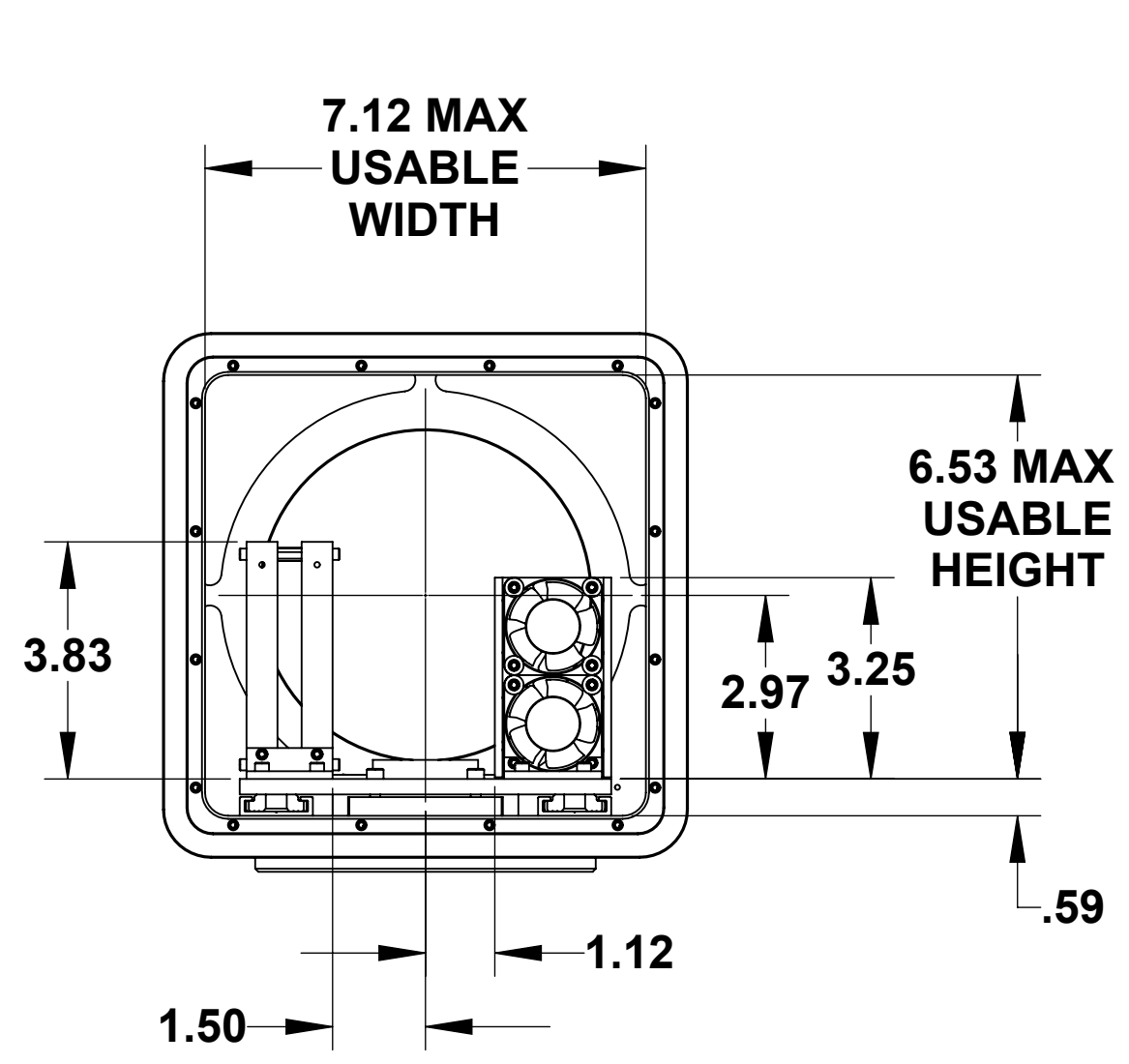


### Mechanical

Weight: 17.4 LB (7.85 KG)  
Exterior (Nominal): 8.9" x 8.9", L = 18.2", 24.2", Custom Length  
Exterior Mount: 16 x ¼-20 Holes Centered  
Interior Useable Cavity (18"): 7.12" (W) x 6.43" (T) x ~ 15.0" (L)  
Interior Useable Cavity (24"): 7.12" (W) x 6.43" (T) x ~ 21.0" (L)  
Interior Mount: Universal  
Sun Shield: Optional

### Electrical

Voltage: 12 VDC (Standard), 24 VDC (Optional)  
Receptacle (Standard): PTB-14-19P  
Receptacle (Optional): Up to 41 Pins  
Available Pins: Up to 41 (Contact Factory)  
Heater with Thermostat (Standard): 80 Watts  
Fan (Standard): 2.5 Watts, 27.5 CFM  
DIS-III: Wired for Simple Install



<p><b>NOTICE</b></p> <p>THIS DRAWING AND THE SUBJECT MATTER DISCLOSED HEREIN ARE PROPRIETARY ITEMS TO WHICH GRAFLEX INC. RETAINS THE EXCLUSIVE RIGHT OF DISSEMINATION, REPRODUCTION, MANUFACTURE AND SALE. THE DRAWING, PRINT OR DOCUMENT IS SUBMITTED IN CONFIDENCE FOR CONSIDERATION BY THE RECIPIENT ALONE UNLESS PERMISSION FOR FURTHER DISCLOSURE IS EXPRESSLY GRANTED IN WRITING.</p>	<p><b>GRAFLEX INCORPORATED</b>          15855 Assembly Loop Suite 100 - Jupiter, FL 33478          (561) 691-5959 fax (561) 691-5983</p>		
	<p>TITLE</p> <p align="center"><b>CARBON FIBER ENCLOSURE, 24"</b></p>		
	<p>SIZE: C</p>	<p>CAGE CODE: 00ZS7</p>	<p>DWG NO: CFE-24L-XXXXX</p>
<p>DATE: 08-09-2018</p>	<p>SCALE: 1:3</p>	<p>BOB TOSI</p>	<p>REV: -</p> <p>SHEET 1 OF 1</p>