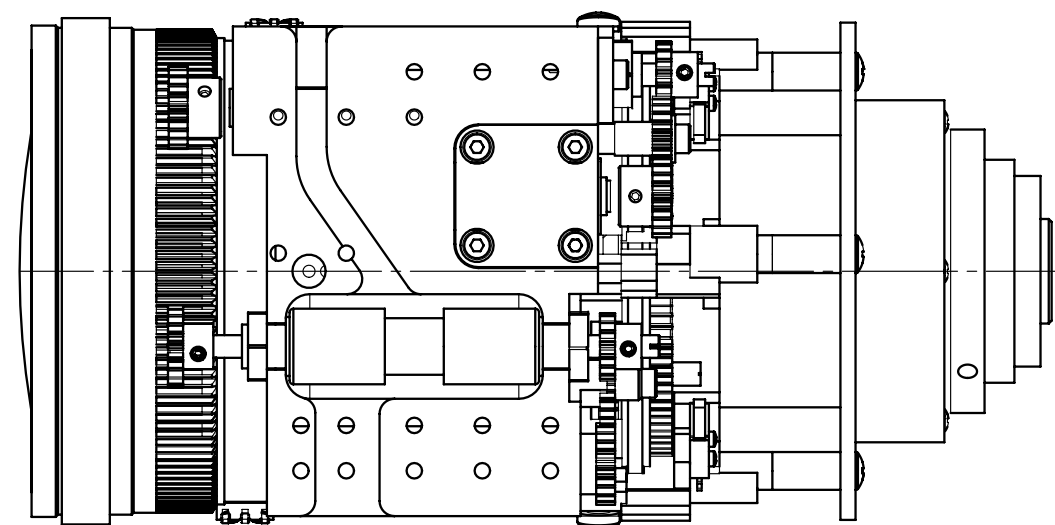
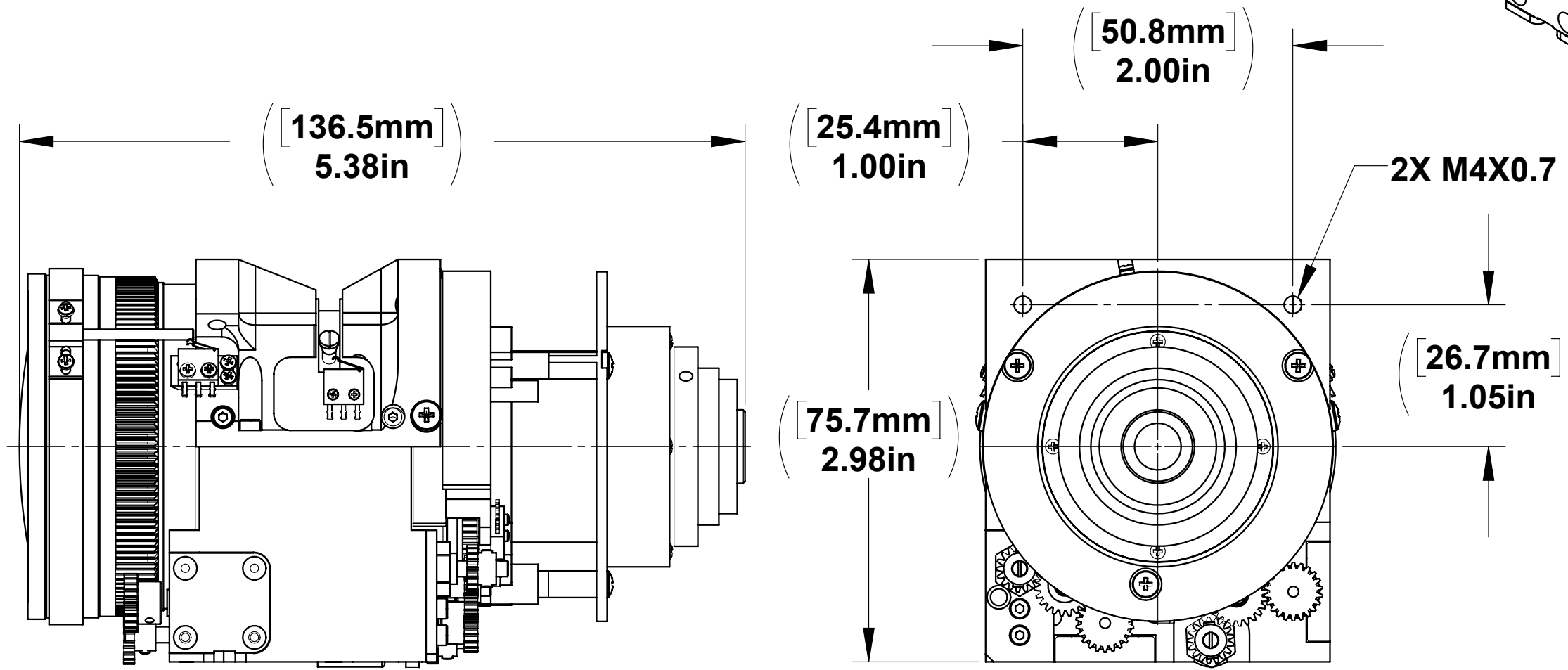
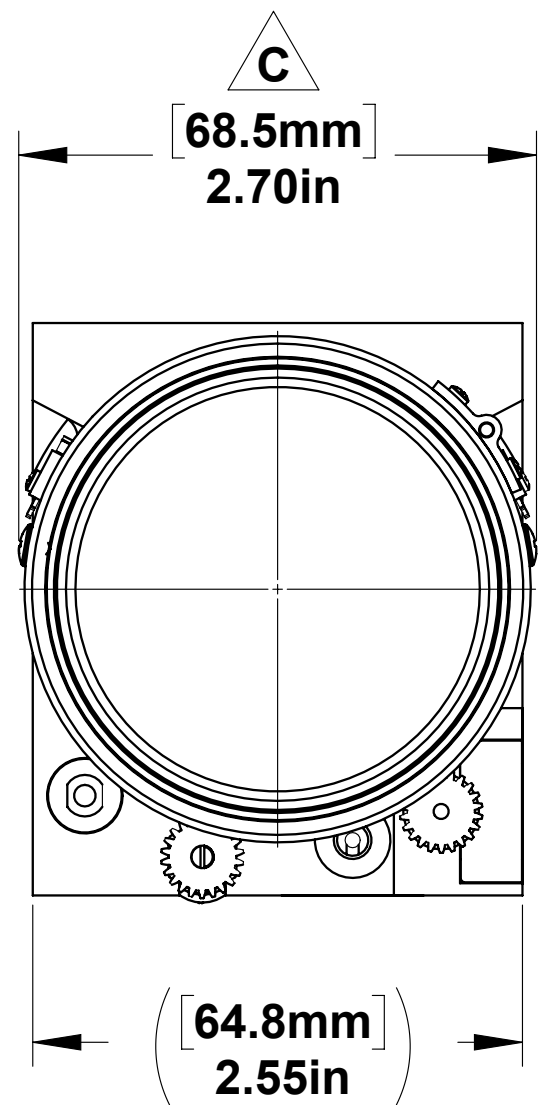
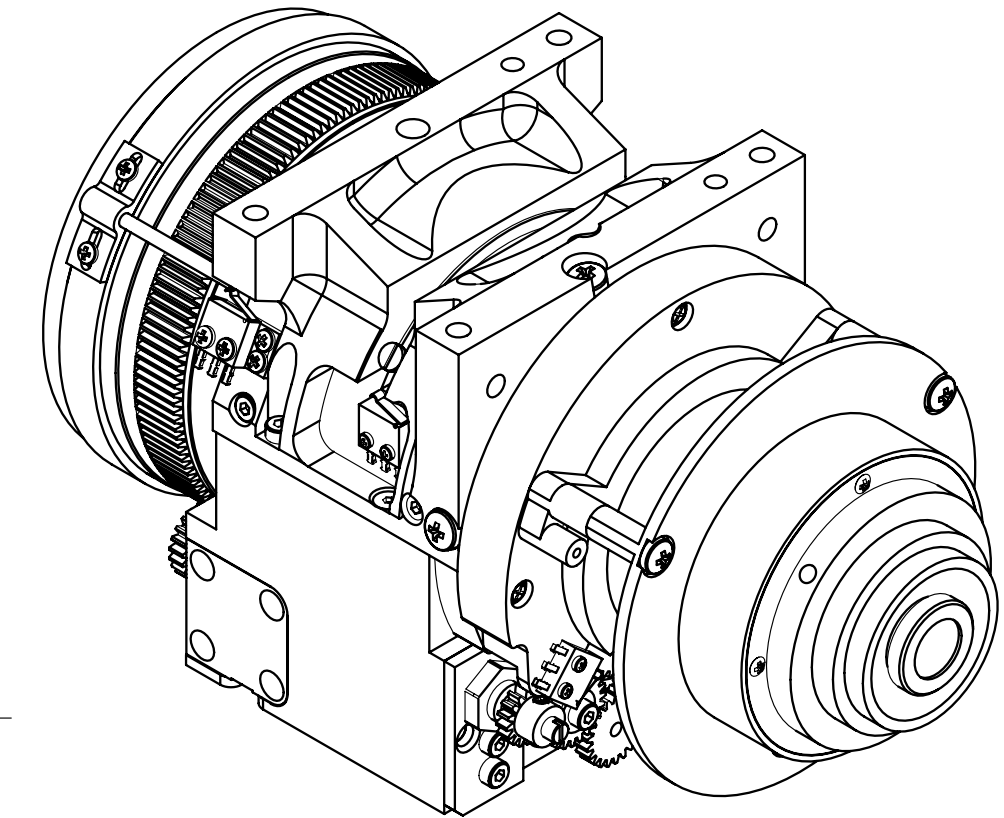
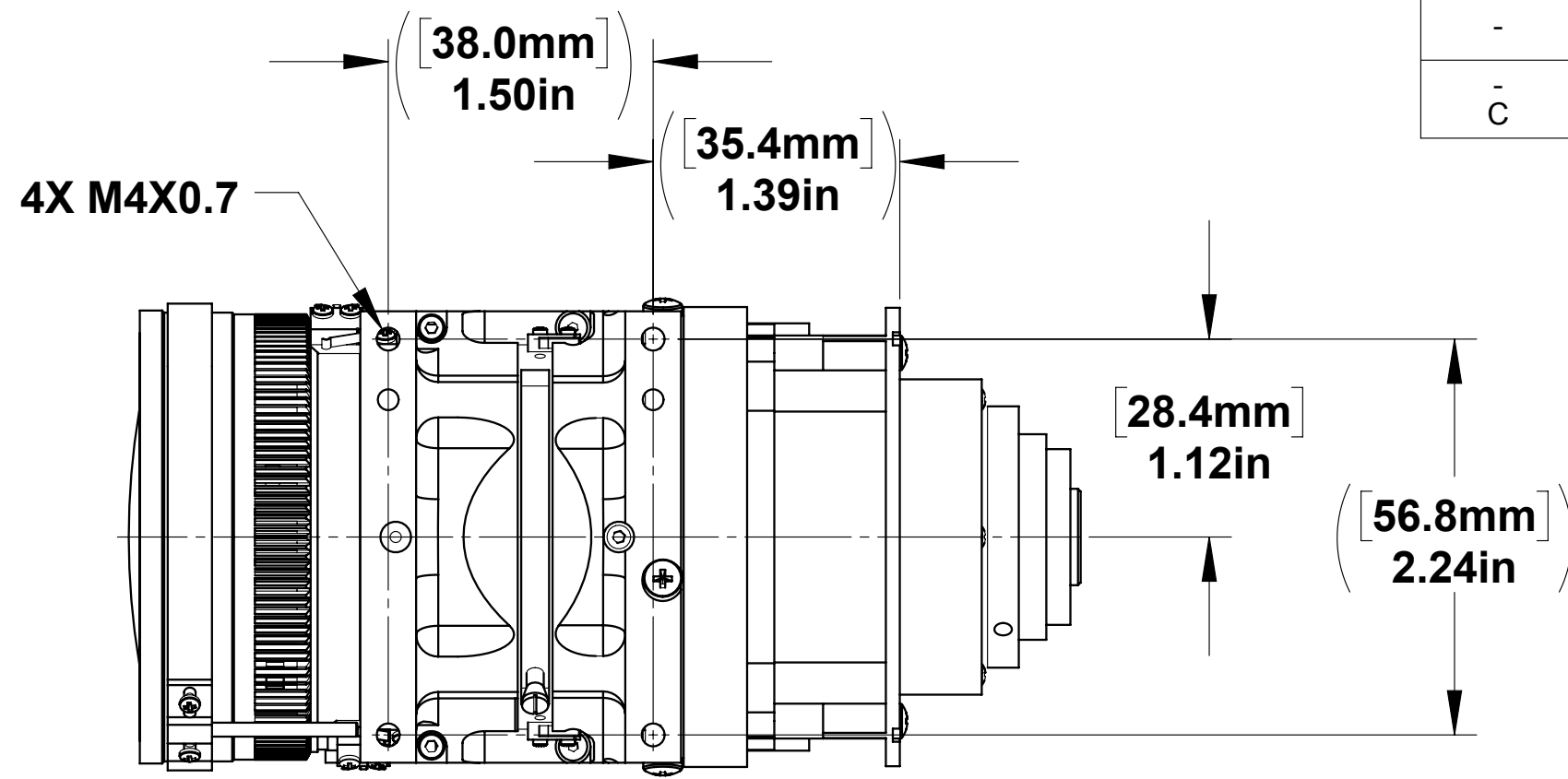


COL	ROW	REV.	DESCRIPTION	DATE	BY
-	-	A	REMOVAL OF ~6-9 M2 TAPPED HOLES PER GRAFLEX SUGGESTION.	10/24/2016	BT
-	-	B	REMOVAL OF M2 TAPPED HOLES, ADDED 3 HOLES.	11/4/2016	BT
C	1	C	UPDATED VIEWS [68.5mm]2.70IN WAS [69.8MM]2.75IN	11/17/2016	BT



### NOTICE

THIS DRAWING AND THE SUBJECT MATTER DISCLOSED HEREIN ARE PROPRIETARY ITEMS TO WHICH GRAFLEX INC. RETAINS THE EXCLUSIVE RIGHT OF DISSEMINATION, REPRODUCTION, MANUFACTURE AND SALE. THE DRAWING, PRINT OR DOCUMENT IS SUBMITTED IN CONFIDENCE FOR CONSIDERATION BY THE RECIPIENT ALONE UNLESS PERMISSION FOR FURTHER DISCLOSURE IS EXPRESSLY GRANTED IN WRITING.

**GRAFLEX INCORPORATED**  
15855 Assembly Loop Suite 100 - Jupiter, FL 33478  
(561) 691-5959 fax (561) 691-5983

## 20XA ZOOM LENS ASSEMBLY

SIZE	CAGE CODE	DWG NO	REV
C	00ZS7	ZM-20XA	C

DATE: 04-10-2017

SCALE 1:1 BOB TOSI

SHEET 1 OF 1