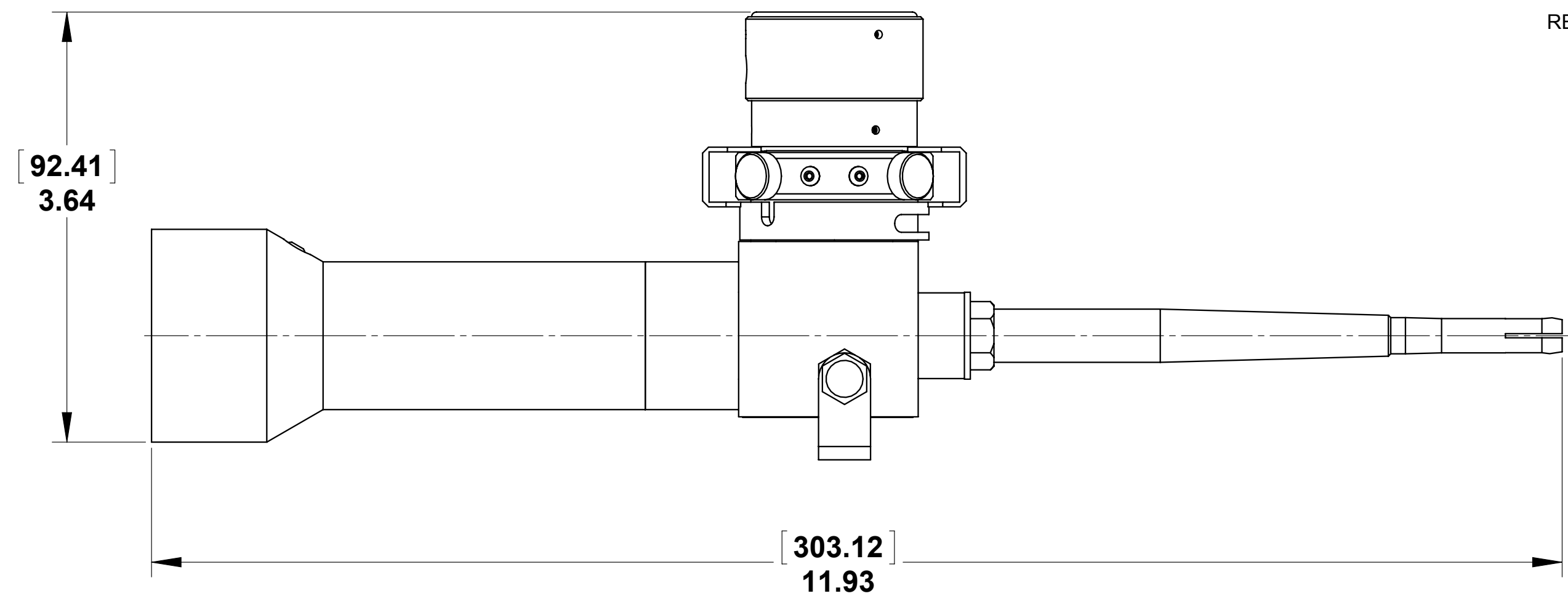
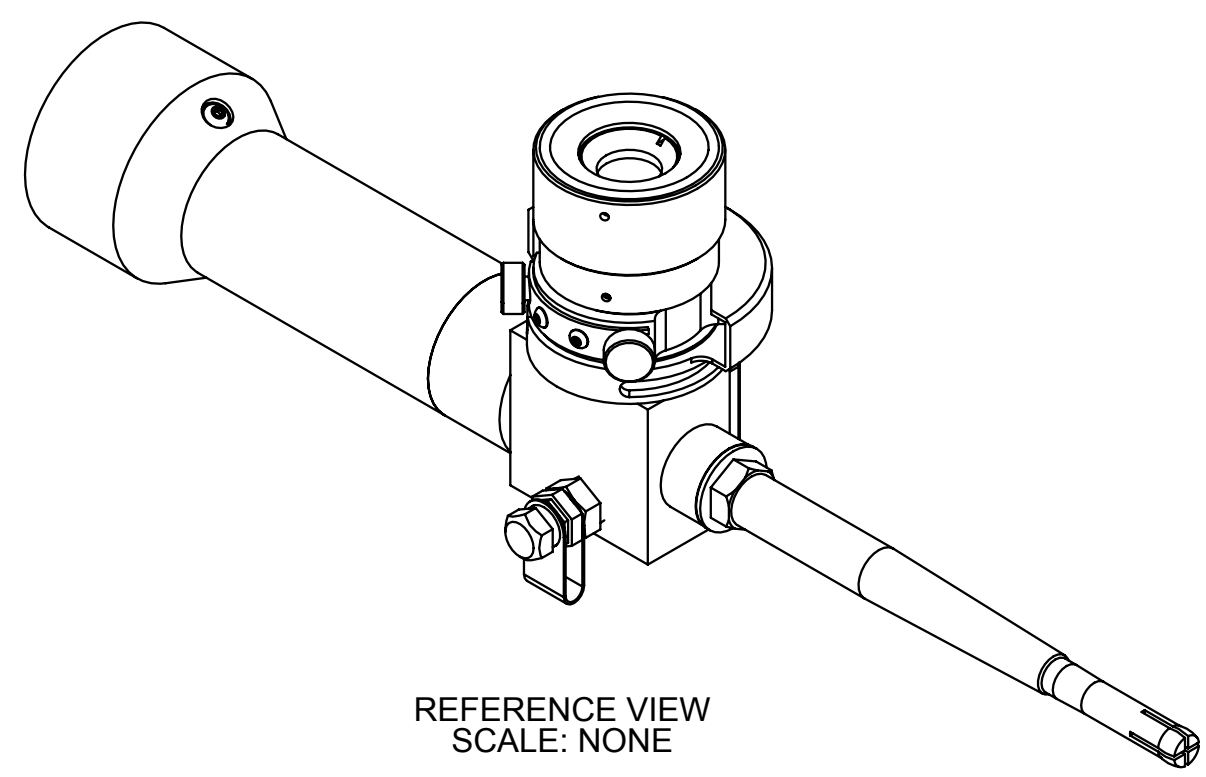


COL	ROW	REV.	DESCRIPTION	DATE	BY
-----	-----	------	-------------	------	----

Approx. .65 Kg



ALL DIMENSIONS ARE APPROXIMATE

1. Standard integral 7.62mm stem is shown, non-standard lengths may be specified.
2. Standard telescope includes adjustable & illuminated reticle, variable diopter setting, nitrogen fill valve.

NOTICE		GRAFLEX INCORPORATED	
THIS DRAWING AND THE SUBJECT MATTER DISCLOSED HEREIN ARE PROPRIETARY ITEMS TO WHICH GRAFLEX INC. RETAINS THE EXCLUSIVE RIGHT OF DISSEMINATION, REPRODUCTION, MANUFACTURE AND SALE. THE DRAWING, PRINT OR DOCUMENT IS SUBMITTED IN CONFIDENCE FOR CONSIDERATION BY THE RECIPIENT ALONE UNLESS PERMISSION FOR FURTHER DISCLOSURE IS EXPRESSLY GRANTED IN WRITING.		15855 Assembly Loop Suite 100 - Jupiter, FL 33478 (561) 691-5959 fax (561) 691-5983	
TITLE		BORESIGHT TELESCOPE	
SIZE	CAGE CODE	DWG NO	REV
C	00ZS7	1-1001BR	-
DATE: 02-05-2016		SCALE 1:1	SHEET 1 OF 1
		BOB TOSI	